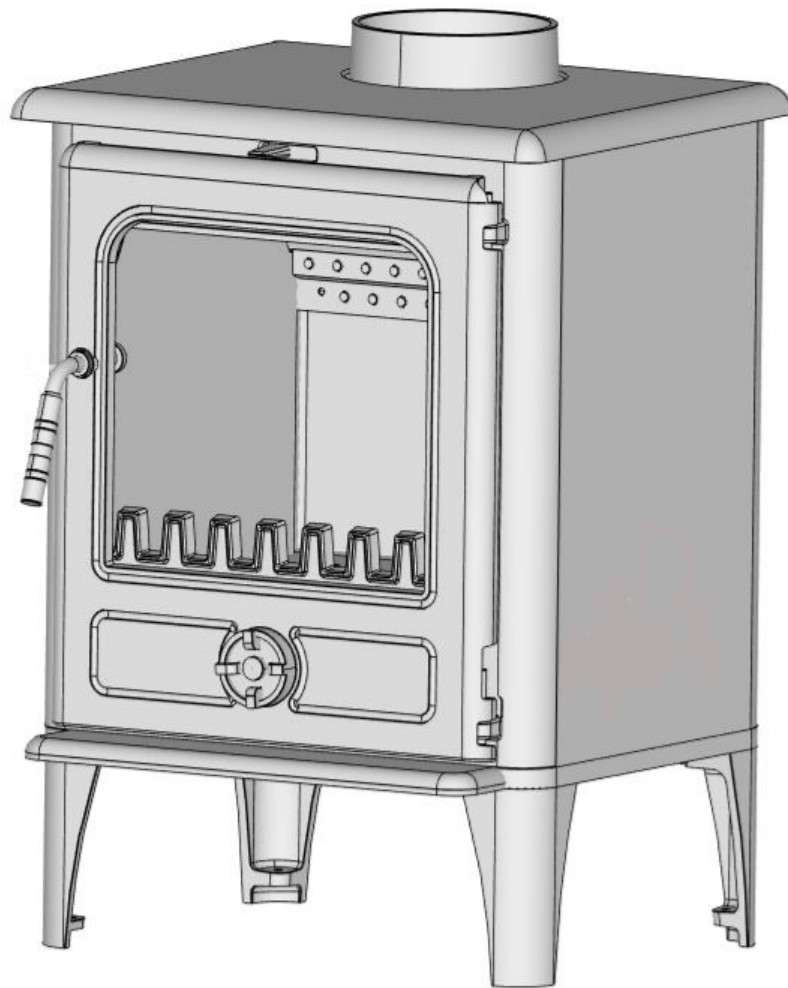




CAST-IRON FIREPLACES & STOVE SPECIALISTS

Installation & Operating Instruction



## **Norvik 5 Multi-fuel stove**

80% Efficient

This stove is designed for intermittent use and is tested and manufactured as a closed multi-fuel appliance. Cast Tec recommend that this appliance is installed by a HETAS registered Installation engineer or competent person. Failure to comply will invalidate the manufacturer's warranty.

English

## **Table of contents:**

### **OPERATING INSTRUCTIONS**

**Lighting the fire**  
**Firebox linings and baffle**  
**Running temperatures**  
**Cleaning & Maintenance**  
**Woodburning tips & theory**

### **INSTALLATION INSTRUCTIONS**

**Building regulations**  
**Positioning & clearances**  
**Chimney**  
**Flue connection**  
**Problem solving**

### **CLEAN AIR ACT 1993 AND SMOKE CONTROL AREAS**

Nett Weight 80kgs

Nominal Heat Output 5kW

## Operating Instructions

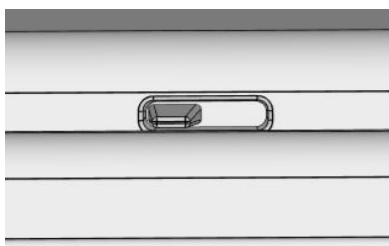
### Lighting the stove

Before lighting the stove for the first time please ensure all firebrick linings and other internal components are in position and that all packaging has been removed.

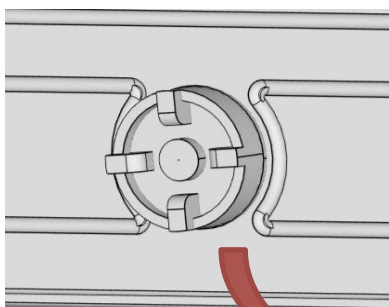
When lighting your stove for the first time it should not be stoked excessively as all materials must be given time to adapt to the effects of heat. Your stove has been painted with specialist HT paint and oven cured within our manufacturing process, however upon initial lighting of the stove further curing may occur and a slight smell may be evident. We recommend that windows and doors are left open during this time, as airing the room will allow this to disappear.

- Step 1. Open the air control fully using the tool (Glove)
- Step 2. Place rolled up crumpled newspaper at the back of the stove. Place small tinder/kindling on top of the newspaper and then a few larger pieces of wood on top of this. Light the newspaper and close the door **NEVER USE FLAMMABLE LIQUIDS**
- Step 3. Allow the fire to burn until all the pieces of wood are alight and burning. More and larger pieces of wood can now be added. Never add so much wood that it is in danger of coming over the fuel bar.
- Step 4. Once the fire is established the air control can be reduced to maintain a steady burn rate. Never run the stove with door open

All parts of the stove become hot when in operation. Use the Glove provided to operate the air control and the door handle.



Secondary Air  
Control Open  
Airwash System



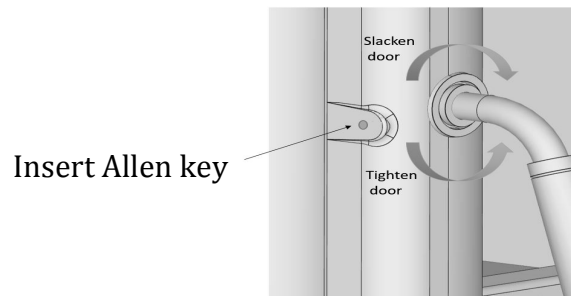
Primary air  
control Open

## Door handle adjustment

The door handle has a sophisticated adjustment system. The door handle comprises of only 4 parts and can be adjusted very simply by the end user. The system allows adjustment without the need for spanners or other tools. The stove is provided with a set screw to perform this function, keep this safe.

The door rope over time will flatten and the door seal will start to let air into the stove, this will allow unwanted air into the combustion and increase the speed of the burn and controllability of the stove.

Using the supplied Allen key, insert it into the hole in the side in the side of door containing the set screw. Turning the anti-clockwise slacken the set screw until the door handle becomes loose, once loose turn the handle the correct way as per below drawing below, on completion slowly re-tighten the setscrew until the handle is set.



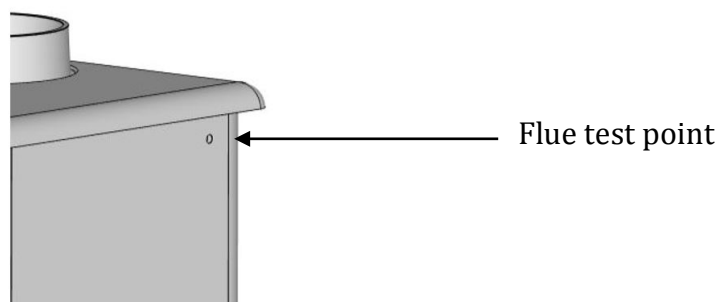
## Flue test point

Your Norvik stove has a flue test point, the function of the test point has various functions.

- Correct installation, aiding the installer to set up the Norvik with the flue pull matching the manufacturers recommendations
- Measuring the flue pull to check for soot or tar build up in the chimney

## Flue test position

Your Norvik stove test point is situated discreetly at the rear right hand side of the stove. The M8 screw is removed and a flue test meter is placed in the hole to measure the flue pull. On completion the M8 screw is re-fitted.



## Running Temperature

Thermometers are available that attach to the flue pipe directly above the stove and provide an aid to running the stove at the correct temperature.

### 150°C-300°C

The flue gases should be in this temperature band for the safest, most efficient and most economical operation of your stove.

### Below 150°C

This will cause the condensation of wood gases and the build-up of tar in the chimney, dirty the stove glass and result in the inefficient burning of fuel.

### Above 300°C

Too hot. Heat will be wasted up the chimney. Excess heat may damage the stove or ignite and existing accumulation of tar resulting in a chimney fire.

## Overheating

Should the stove be allowed to get too hot and is overheating, close the air control fully using the glove. Keep the fire door closed and allow the fire to burn down.

## Chimney Fire

In the event of a chimney fire dial 999 and ask for the Fire Service. Fully close the air control and keep the stove door closed. Move any combustibles away from the stove and chimney. Check any other rooms that the chimney passes through and move and combustibles away from the chimney. Before using the stove again after a chimney fire, the chimney should be cleaned and inspected by a qualified person.

## Cleaning the glass

We recommend wiping the glass after a fire to prevent any build-up of deposits. This is best done using a paper towel or newspaper to avoid scratching the glass.

## Types of fuel

**Mineral Fuel:** Authorised fuels can be used in smoke control areas. Fuels are listed at: <http://smokecontrol.defra.gov.uk/fuels.pph>.

**Wood:** Needs to be well seasoned before it is burnt. There are many types of wood available for fuel and they take varying amounts of time to season. As a general guide wood should be cut to length, split and then stacked under cover with sides open to air for at least 12 months. Wood is ready for burning when radial cracks appear in the end of the logs and moisture content is no more than 20%. It is then good practice to store the wood in a log basket inside your

property for a few days prior to its use. The internal width of the firebox of the LogFire is 340mm therefore the firewood should be no longer than this Logs over 100mm diameter should be split before use. DO NOT burn unseasoned wood in your stove. DO NOT burn particle board, lacquered, painted or treated wood, plastics, rubber or liquid fuels. Should the stove burn any of these materials the warranty will be void. The stove should not be used as an incinerator.

### **Ashes**

The ashes should only be removed when the fire is out and has been left to cool completely. The log retaining bar can be removed for easier access by lifting it up. Wood burns well on a thin layer of ash and leaving this when cleaning also provides protection for the base insulating bricks.

### **Maintenance & Cleaning**

Any maintenance of the stove should only be carried out when the stove is cold. Daily maintenance should be limited to vacuum cleaning the stove externally, or brushing down with a soft brush. Never use spirits to clean the stove, as this will remove the paint. Regularly check the flue exit from the stove to make sure there is no build-up of deposits that will restrict the exit of the flue gases. Note: The stove must not be modified in any way. Any changes will invalidate your warranty. Any replacement parts must be official Norvik stove parts.

### **Chimney Sweeping**

The chimney should be swept a minimum of once per year. This must be carried out by a registered competent person. If the stove is used more regularly the chimney should be swept more often. Your stove should also be given a visual inspection every time the chimney is swept. These checks should include the rope seals, door handle, firebricks and baffle. Any build of soot and ashes within the stove should be removed.

### **Fire bricks**

The fire bricks are manufactured from vermiculite. Vermiculite is a non-combustible, fire resistant board with excellent thermal insulation properties. As vermiculite is a porous material it may over time become worn and damaged. Please handle with care especially when re-fuelling the stove. The Insulation only needs replacing when it has deteriorated to an extent that the insulation is no longer protecting the steel body of the stove from the flames. Cracks in the Vermiculite are normal and will not interfere with the efficient running of the stove. The Vermiculite insulation is not covered by the manufacturer's warranty.

## **Glass**

If the glass is blackened by soot it can be easily cleaned using one of the many specialist stove glass cleaning products available. Glass is not covered by the manufacturer's warranty.

## **Surface**

The high temperature paint finish should require no further treatment. Any damage or wear on small areas of the paint finish may be remedied using our high temperature aerosol paints. Please read the instructions on the aerosol carefully before applying.

## **Installation**

Building Regulations Installation of your Norvik stove must comply with all local building regulations, including those referring to national and European standards. We advise prior to any installation a full site survey is conducted by an installation engineer recognised within an industry standard such as NACS or HETAS to check the suitability of your chimney and appliance. Document J of the building regulations contains further information regarding the installation of solid fuel appliances and can be viewed at [http://www.planningportal.gov.uk/uploads/br/BR\\_PDF\\_ADJ\\_2010.pdf](http://www.planningportal.gov.uk/uploads/br/BR_PDF_ADJ_2010.pdf)

## **Ventilation**

The appliance may require additional air ventilation if required. Any air inlet grilles should be positioned so that they are not liable to blockage. An air extraction device shall not be used in the same room as the appliance unless adequate additional ventilation is provided. Other heating appliances requiring air for combustion shall not be used in the same room as the appliance unless adequate additional ventilation is provided. Stoves need a supply of air for combustion, and to evacuate the flue gases otherwise they will not work. Without an air supply the stove will not light and smoke is likely to pour out into the house. The smoke will not be able to be drawn up the chimney as this requires air movement up through the chimney which is not possible if there is no source of air. If your stove smokes or does not burn very keenly, but this improves when you open a window then this is a sign that you need to install some ventilation. We recommend you discuss your ventilation requirements with your local Norvik Stove authorised retailer/installer. Any airbricks or grilles fitted should be positioned so that they are not liable to blockage. If other appliances requiring ventilation operate within the vicinity of the stove there must be adequate ventilation provided for both appliances running simultaneously. NOTE Extractor fans when operating in the same room or space as the stove may cause problems.

## **Load-bearing capacity of the floor**

Before installing the stove, you must ensure that the load-bearing capacity of the floor can withstand the weight of the stove and any flue pipes and connections. The weight of the stove is 80Kgs.

## **Hearth**

The stove should be installed on a non-combustible hearth. The hearth should extend to a distance of 225mm in front of the stove and 150mm to each side measured from the door of the combustion chamber. Please refer to document J of the building regulations for further information on hearth requirements. Please note this stove has a certified maximum hearth temperature of 43°C.

## **Clearances**

The minimum clearance to combustible materials is 750mm to the sides of the stove, 750mm to the rear of the stove and 450mm to the 5" flue pipe. Adjacent walls should be of suitable non-combustible construction, preferably brickwork. A minimum of 50mm clearance should be left at the back and sides of the stove to allow free air movement and for heat from the stove to enter the room, and there should be a minimum clearance around the 5" flue pipe of 225mm. In exceptional circumstances where only non-combustible walls surround the stove with a minimum thickness of 200mm the clearance between the rear and sides of the stove may be reduced to 50mm but this may effect efficiency levels which are based on the clearance figures shown in figure and reference should be made to building regulations and any rules in force at the time of installation

## **Chimney Requirements**

An existing chimney or a new flue or chimney installation should be given a visual inspection to check that it is in good order, clear of obstructions and is of suitable size and type for the stove. It may be necessary to sweep the flue – which should always be done prior to fitting a stove or lining a chimney. We also recommend a smoke test is carried out to check for gas tightness and chimney draft. We recommend lining and insulating your chimney. There should be access to the chimney to allow for sweeping.

## **Air Damper**

It is recommended that chimneys with a strong updraft be fitted with a flue damper or draught stabiliser to allow the chimney draught to be regulated. No damper should close the flue way completely, 20% of the total opening of the chimney or flue pipe must remain open at all times.

## **Carbon Monoxide Alarm**

An approved carbon monoxide alarm must be installed when any Solid Fuel appliance is installed. Carbon Monoxide alarms need to meet European safety standards and must be audible. They must be fitted in accordance to the manufacturer's instructions. Please Note: an alarm is no substitute for regular maintenance and chimney sweeping.



## **Flue**

The minimum flue draught required for nominal heat output is 12 Pascal's. At nominal heat output the flue gas temperature will be in the region of 242°C. The appliance should not be connected to a shared flue. The design of the flue installation should allow access for sweeping. The stove has a top flue connection only. Seal the flue connections with fire cement or a high temperature rope seal. The flue blanking plate should be positioned over whichever outlet is not being used.

## **Register plate**

This plate is used to seal off the throat of the fireplace and has a hole for the flue pipe, access for sweeping and if required a bracket to support the flue.

- The 5" (125mm) flue pipe required from the stove to the register plate.

## **Operational Problems**

### **Blackened Glass**

- The wood is too damp. Only use wood that has been stored for at least 12 months under cover and ideally with a moisture content less than 20%
- Insufficient intake of air from the air control. Open the air control further.
- Insufficient ventilation The stove is being run at too low a temperature

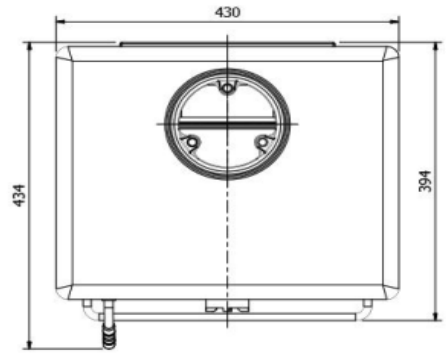
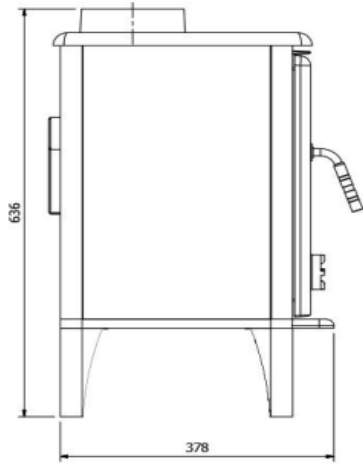
### **Smoke in the room when refuelling**

- Poor chimney performance – consult chimney sweep or Installation engineer
- Check the position of any fitted flue damper to make sure it is in the open position
- Never open the door when there are high flames on the wood

### **Uncontrollable Combustion**

- Damaged door seal. Fit new seal
- If there is excessive chimney draft – fit a draft stabiliser in the flue pipe – consult a chimney sweep or the Installation engineer

## Stove Dimensions



# Warranty Registration

PLEASE RETURN TO THE MANUFACTURER  
FAILURE TO DO SO MAY AFFECT THE WARRANTY

Your stove is guaranteed  
(Excluding wearable parts: Vermiculite, rope, glass and grate)  
For 5 years from date of purchase

**Appliance installer to complete ALL sections below**

This document must be completed by the installer; this constitutes a 'Hearth Notice' for purposes of the England and Wales Building Regulations 2000.

<b>Serial Number:</b>	<b>Model:</b>
<b>Customer name and address:</b>	
<b>Installer Name:</b>	
<b>Registration Number:</b>	
<b>Date:</b>	
Who certifies that this installation is safe, has been demonstrated to the householder, conforms to current building regulations, has at least a 12Pa flue draught measurement and has been through these instructions with the owner of the appliance?	
<b>Flue Draught measured on commissioning:</b>	<b>PASCALS:</b>
<b>TO FIND A QUALIFIED INSTALLER, FUEL SUPPLIER or CHIMNEY SWEEP, CONTACT:</b> <b>UK:</b> The Solid Fuel Association, 7 Swanwick Court, Alfreton, Derbyshire DE55 7AS Tel: 0845-601-4406 <a href="http://www.solidfuel.co.uk">www.solidfuel.co.uk</a> <b>RoI:</b> Irish Nationwide Fireplace Organisation, P.O. Box 11563, Finglas, Dublin 11 Tel: 086-236-6553 <a href="http://www.fireplace.ie">www.fireplace.ie</a>	

## **Clean air act 1993 and smoke control areas**

Under the Clean Air Act local authorities may declare the whole or part of the district of the authority to be a smoke control area. It is an offence to emit smoke from a chimney of a building, from a furnace or from a fixed boiler if located in a designated smoke control area. It is also an offence to acquire an “unauthorised fuel” for use within a smoke control area unless it is used in an “exempt” appliance (“exempted” from the controls which generally apply in the smoke control area).

In England appliances are exempted by publication on a list by the Secretary of State in accordance with changes made to sections 20 and 21 of the Clean Air Act 1993 by section 15 of the Deregulation Act 2015. In Scotland appliances are exempted by publication on a list by Scottish Ministers under section 50 of the Regulatory Reform (Scotland) Act 2014. Similarly, In Northern Ireland appliances are exempted by publication on a list by the Department of Agriculture, Environment and Rural Affairs under Section 16 of the Environmental Better Regulation Act (Northern Ireland) 2016. In Wales appliances are exempted by regulations made by Welsh Ministers.



**CAST-IRON FIREPLACES & STOVE SPECIALISTS**

***Don't forget to register your stove to activate your warranty***